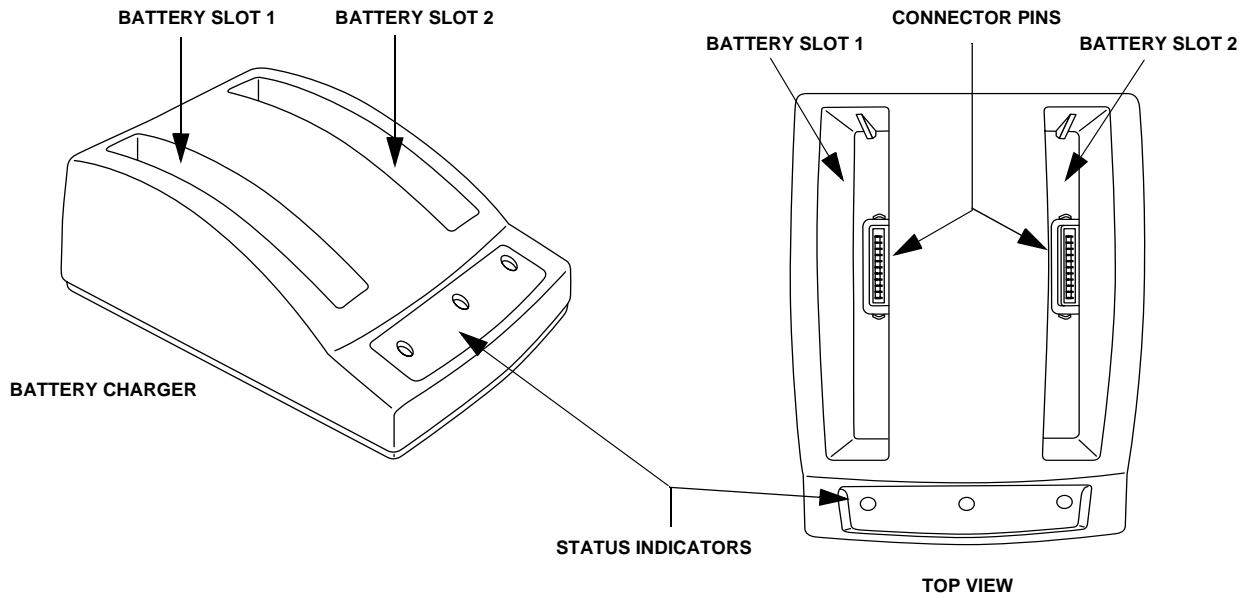


FMW42BC1
External Battery Charger
Stylistic 3400
 User's Guide



The external battery charger (shown above) allows you to charge up to two Lithium ion battery packs for the Stylistic 3400 pen tablet.

There are three status indicators on the battery charger, one for each battery slot and one for the power, as shown in Figure 1. The battery status indicators change colors to represent different battery conditions, as noted in Table 1.



Figure 1. Status Indicators

Table 1: Status Indicator States

| Indicator | Condition | Status | Comments |
|------------------------|-------------------------|---------------------------|---------------------------------------------------------------------------------------------------------------------------------------------------------------------------------------------------------------------------------------------------------------------------------------------------------------------------------------------------------------------------------------|
| Power | OFF | AC Adapter not connected | ¹ Blinks at rate of one second on, one second off. ² Standby state occurs when one of the two battery packs inserted is waiting to be charged. ³ If the charger or battery pack you inserted is defective, remove the battery pack, disconnect power to the charger, and contact your local help desk or your reseller for further assistance. |
| | Green ON | AC Adapter connected | |
| Battery 1 Battery 2 | OFF | No battery installed | |
| | Green ON | Charging complete | |
| | Amber ON | Battery charging | |
| | Blinking ^{1,2} | Standby mode | |
| | Red ON ³ | Battery pack defective | |
| | Blinking ^{1,3} | Battery charger defective | |

Using the External Battery Charger

Please note that this equipment can be used only for charging the Stylistic 3400 battery pack FMW42BP1. Using this charger with other battery packs may cause damage to both the charger and the battery pack connector pins.

To charge a battery pack:

1. Connect the AC adapter to the battery charger, then plug the adapter to a main power outlet. The power indicator should turn on (green).
2. Install up to two discharged battery packs into the battery slots, as shown in Figure 2.

When the battery pack is fully charged (at 100% level), the indicator changes to green and charging automatically stops.

The charged battery pack is now ready to use with your Stylistic 3400 pen tablet.

3. When the charger is not in use, disconnect the AC adapter.

Issues to consider when using the battery charger:

- Only one battery pack can be charged at a time. If two battery packs are inserted, they will be charged in the order they were inserted.
- You can insert up to two battery packs at a time in the battery charger. If you inserted two battery packs, either battery pack can be inserted or removed independently.

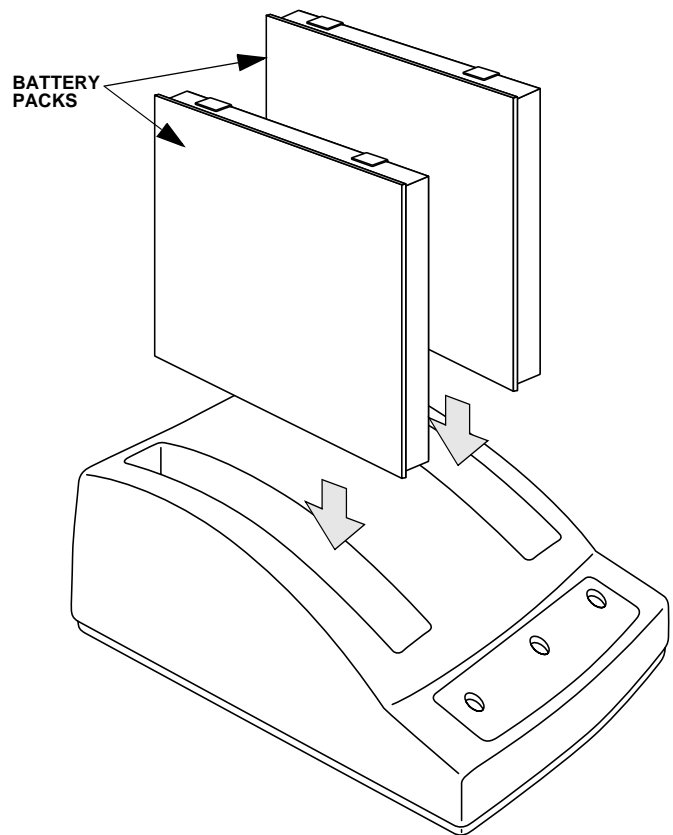


Figure 2. Installing battery packs

FCC Notice

This equipment has been tested and found to comply with the limits for a Class B digital device, pursuant to Part 15 of the FCC rules. These limits are designed to provide reasonable protection against harmful interference in a residential installation. This equipment generates, uses, and can radiate radio frequency energy and, if not installed and used in accordance with the instructions, may cause harmful interference to radio communications. However, there is no guarantee that interference will not occur in a particular installation. If this equipment does cause harmful interference to radio or television reception, which can be determined by turning the equipment off and on, the user is encouraged to try and correct the interference by one or more of the following measures:

- Reorient or relocate the receiving antenna.
- Increase the separation between the equipment and receiver.
- Connect the equipment into an outlet on a circuit different from that to which the receiver is connected.
- Consult the dealer or an experienced radio/TV technician for help.

Changes or modifications not expressly approved by Fujitsu PC Corporation could void the user's authority to operate this equipment.