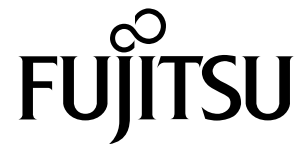


FMW42CR1

High-Usage Cradle



Installation Guide

Stylistic 3400

The high-usage cradle is designed for a desk- or counter-top installation where a quick connection to a DC power source and/or a USB device is needed. A Stylistic 3400 pen tablet can be placed in the high-usage cradle and used while external DC power is supplied by the cradle. Additionally, the USB port provides an interface with any USB-compliant device. The connector pins on the cradle are "high-usage" type connectors and are designed to withstand a large number of insertion and removal operations.

Installing the Stylistic 3400 in the Cradle

To install your Stylistic 3400 in the high-usage cradle,

1. Place the cradle in the flat, stable location that it will be used.

Note: In the following steps, use the AC Adapter that was delivered with your pen tablet.

2. Attach the AC adapter to the DC input connector located on the left-hand side of the high-usage cradle. (See Figure 2).
3. Plug any USB device into the USB port adjacent to the DC input connector. (Note that USB devices can be connected or disconnected at any time, whether the system is powered on or not.) It is not necessary to suspend or shut down the pen tablet when it is inserted into or removed from the high-usage cradle.
4. Align the pen tablet over the sides of the cradle and slide it into the cradle (See Figure 1). Press it down firmly to ensure that the pen tablet is securely seated. Interlock switches are located on either side of the connector pin block. When the pen tablet is properly seated, the pins are depressed, causing the green power LED (second from the left) to glow green when power is applied.

Note: The bottom of the pen tablet rests in the high-usage cradle; it does not snap into place.

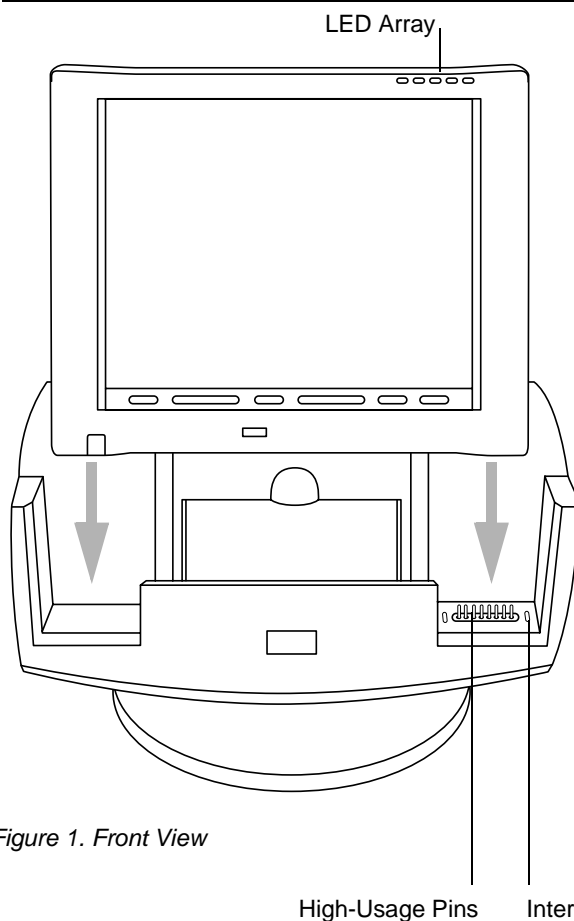


Figure 1. Front View

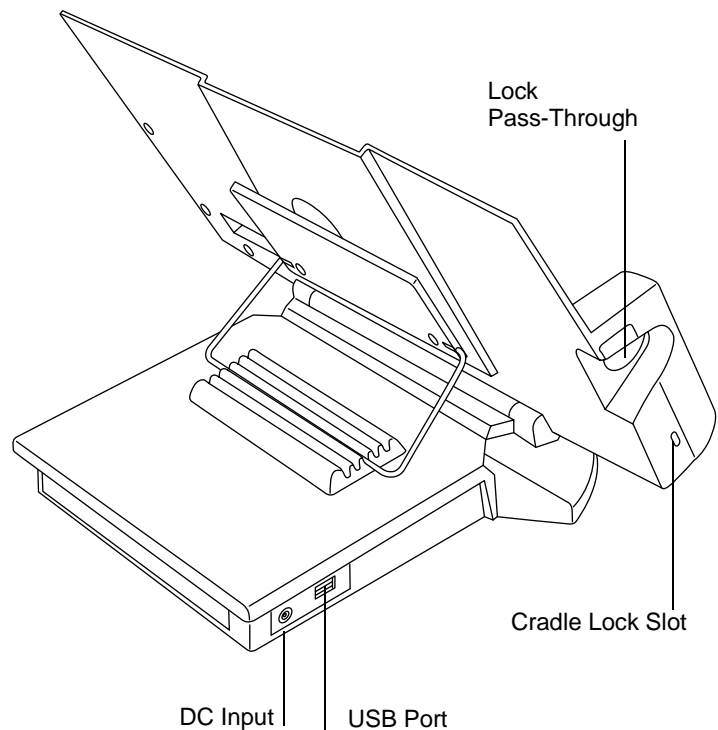


Figure 2. Left Side

Removing the Pen Tablet from the Cradle

To remove your Stylistic 3400 pen tablet from the high-usage cradle, lift the pen tablet up and out of the cradle.

Securing the High-Usage Cradle

The high-usage cradle can be secured alone or with a Stylistic 3400 pen tablet installed. To secure your equipment, use a Kensington™ MicroSaver™ cable lock, or equivalent.

To secure your high-usage cradle without a pen tablet installed, insert the cable lock into the cradle lock slot on the left-hand side of the cradle (See Figure 2).

To secure your high-usage cradle and an installed Stylistic 3400 pen tablet, insert the cable lock through the lock pass-through and into the lock slot located on the chassis of the pen tablet.