

FMW42PR1

Port Replicator

User's Guide

Stylistic 3400

These instructions provide details on using the Stylistic 3400 Port Replicator with your pen tablet.

The Stylistic 3400 Port Replicator is best suited for desktop computing tasks when a quick and temporary connection to peripheral computer equipment is needed and the pen tablet alone does not provide the necessary connectivity. The port replicator provides the following interfaces for connection to peripheral computer equipment (see Figure 1 for locations):

- **Serial port**
This port allows you to connect an external device with a serial interface.
- **PS/2-style keyboard port**
This port allows you to attach a PS/2-style keyboard.
- **PS/2-style mouse port**
This port allows you to attach a PS/2-style mouse.
- **USB port**
This port allows you to attach a Universal Serial Bus (USB) connector.
- **DC input**
This port allows you to connect an AC Adapter to provide input power. This input can be used for powering the system while it is running, or for charging the system battery.
- **Video display port**
This port allows you to interface with another display device, such as a monitor.

- **Floppy disk drive port**
This port allows you to connect a Fujitsu floppy disk drive (FMWFD2).
- **LAN (RJ-45) port**
The LAN port allows you to connect the Stylistic 3400 to a local area network.
- **Stereo line out**
The stereo line out allows you to install an external speaker or headphones.
- **Parallel port**
The parallel port allows you to connect an external device with a parallel interface.

Assembling the port replicator and backplate

As delivered, the Stylistic 3400 port replicator consists of the following parts:

- Port Replicator
- Backplate
- Screws (quantity: 4)

The port replicator can be used with or without the backplate attached. When the backplate is attached, the port replicator can be suspended from the top bar of the folding deskstand, thus allowing free access to the bottom ports.

To attach the backplate, position the port replicator with screw holes facing towards you. See Figure 2 for reference.

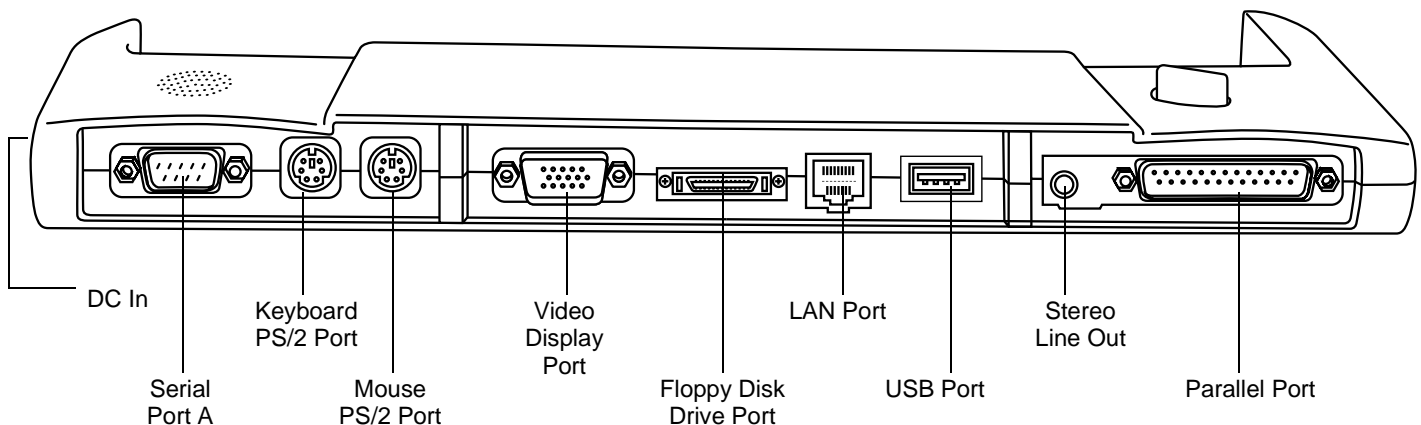


Figure 1. Port replicator configuration

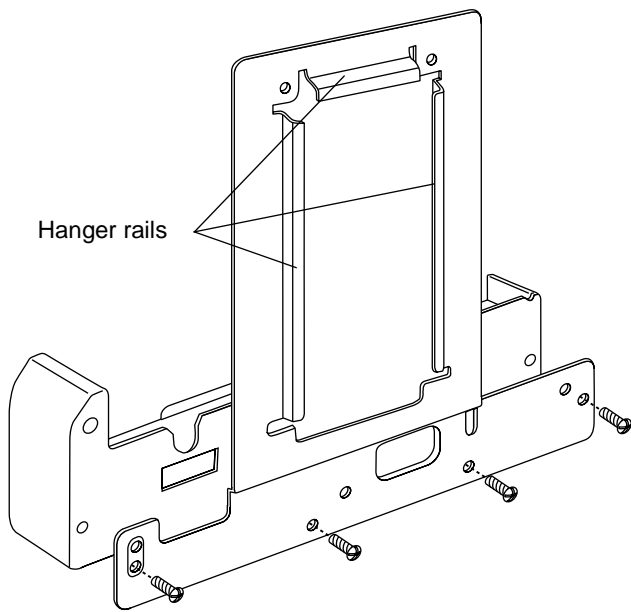


Figure 2. Attaching the backplate

Position the backplate so that the hanger rails face away from the port replicator.

Attach the four screws in the positions indicated in Figure 2.

Installing the pen tablet in the port replicator

The port replicator can be used with or without the backplate. Installation and removal of the pen tablet are the same whether or not the backplate is installed.

To install your Stylistic 3400 in the port replicator,

1. Suspend the pen tablet operation by either pressing the suspend/resume button or by shutting down from the Start menu.
2. Turn off any peripheral devices you intend to connect to the port replicator.
3. Turn off any peripheral devices that are already connected to the port replicator.
4. If you are connecting or disconnecting peripheral devices to the port replicator, do so now.

When connecting peripherals, tighten the connector screws, if used, to maintain consistent and reliable connections between the devices and the port replicator.

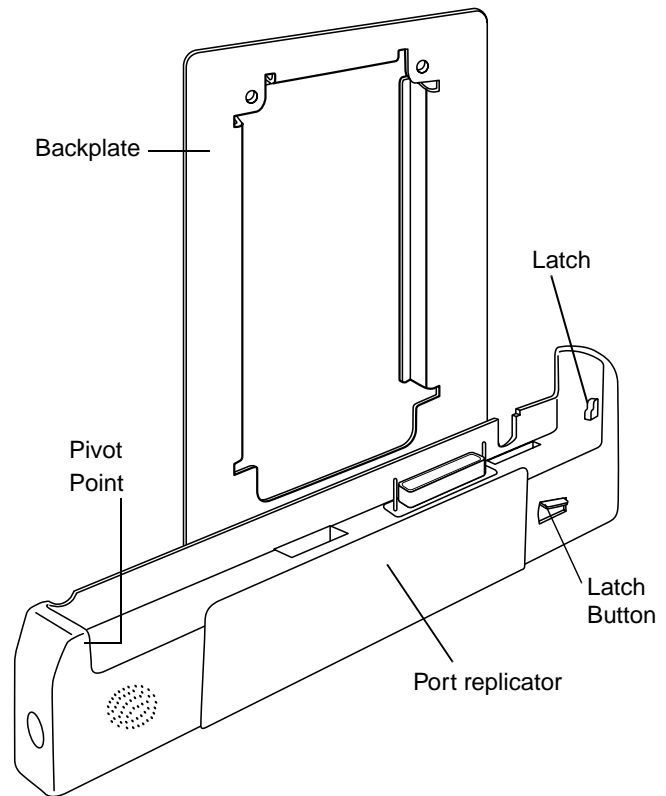


Figure 3. Installing the Stylistic 3400

5. Install the Stylistic 3400 in the port replicator.

While holding the port replicator securely with one hand, tilt the pen tablet to the left at approximately a 30° angle. Slip the pivot hole over the pivot point on the left inside of the port replicator.

Press the right side of the pen tablet into the port replicator until it is resting on the base. Lift the pen tablet to make sure it is latched in properly.

6. Turn on the peripheral devices attached to the port replicator.
7. Resume Stylistic 3400 system operation.

If the required driver software for an attached peripheral device is not installed, the device may not work or may work incorrectly. Contact your local help desk or refer to the documentation provided with your peripheral device and install the driver software at this time.

You can now use your pen tablet with the peripheral devices attached to the port replicator.

Using a deskstand with the port replicator

When attached to the port replicator, the backplate can be used to suspend the system on certain folding deskstands. Suspending the system allows freer access to the ports on the bottom of the system. Depending upon the viewing aspect of the display, the system can be hung using one of three hangers. The middle hanger is used to hang the system in a landscape position; the right and left hangers are used to hang the system in a portrait position. (See Figure 4.)

To use a hanger, suspend it over the top-most bar of the deskstand. Note that some portable deskstands are not tall enough to suspend the system. In those cases, the system can be rested upon the bottom support bars.

Disconnecting the port replicator

To disconnect the port replicator from your pen tablet,

1. Suspend operation of your Stylistic 3400 pen tablet.
2. Turn off peripheral devices that are attached to the port replicator.
3. Push the latch button down to unlatch it from the pen tablet.

4. Pull the pen tablet out of the port replicator in a straight line. Do not rock the components as you pull them apart.

You can resume system operation of your Stylistic 3400 pen tablet.

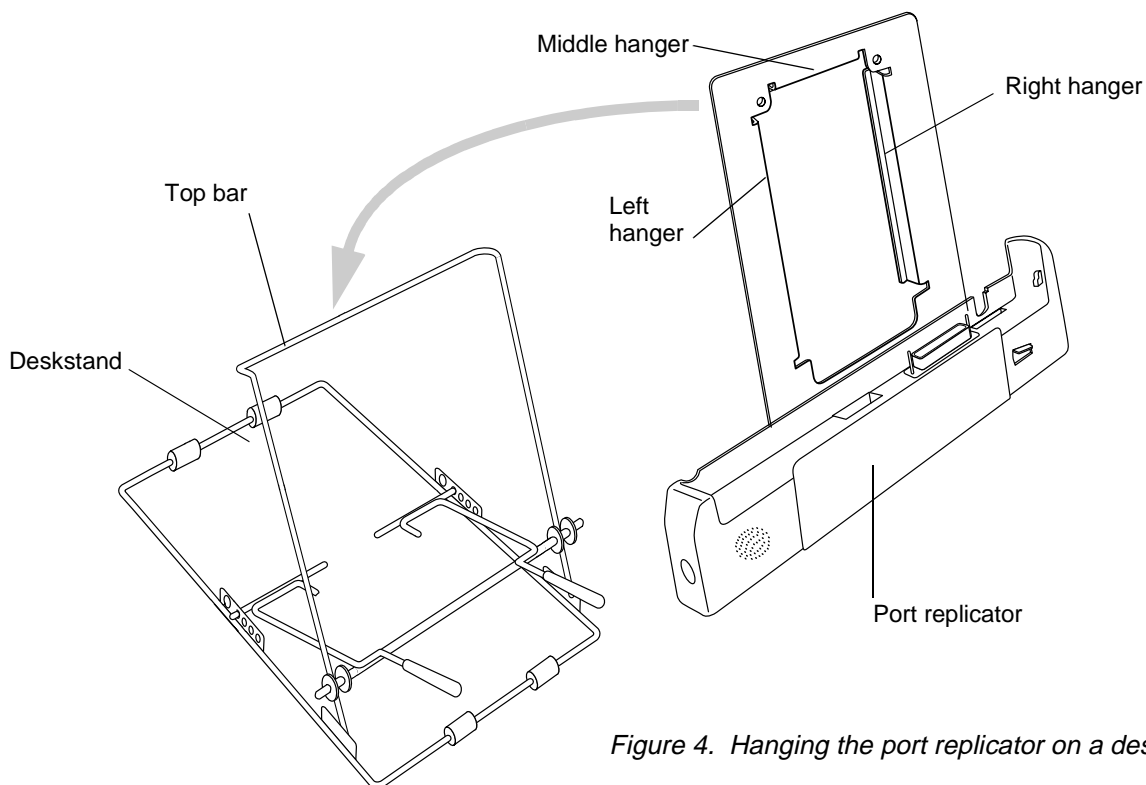


Figure 4. Hanging the port replicator on a deskstand