

FMW42RC1

Radio Antenna Cover Kit

Installation Guide

Stylistic 3400

These instructions provide details on assembling and installing the Radio Antenna Cover Kit for the Stylistic 3400 pen tablet.

The antenna cover should be installed when most types of antennae protrude from a radio PC Card. The cover provides a rigid cap over the antenna to prevent damage during everyday use.

Note

The antenna cover was specifically tested with Symbol[®], Proxim[™], BreezeCom[™], and AiroNet[™] radios; it is possible that certain other antennae will protrude too far from the system to fit within the antenna cover.

Assembling the Radio Antenna Cover Kit

The Radio Antenna Cover Kit consists of the following parts:

- Plastic Hood
- Plastic Base
- Two black screws
- One tapping screw

To assemble the radio antenna cover, place the hood atop the base as illustrated in Figure 1. Make sure the positioning tab is on the *inside* of the hood. Secure the two pieces with the tapping screw by inserting it through the hole in the base into the standoff inside the hood.

Installing the Radio Antenna Cover

To attach the radio antenna cover to the pen tablet, perform the following steps.

1. Position the antenna cover in relation to the back of the pen tablet as shown in Figure 2.
2. If caps are present over the mounting holes, remove them with a small screwdriver, or similar tool.

3. Insert the antenna cover tabs into the two tab slots on the pen tablet.
4. Insert the two black screws through the holes in the hood and secure them to the pen tablet.

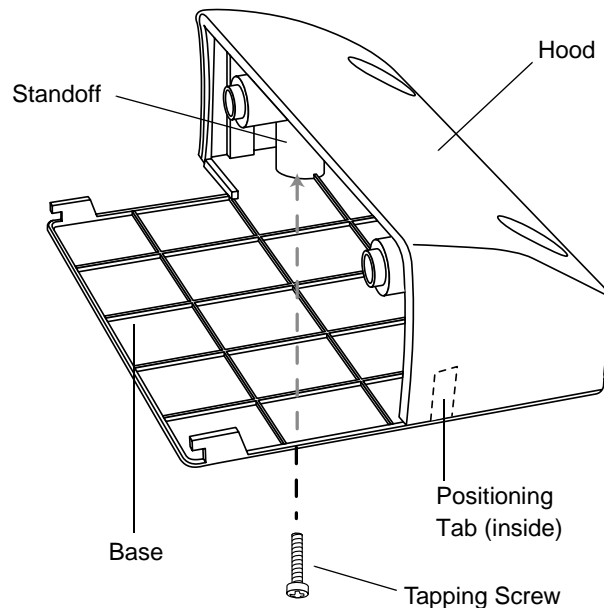


Figure 1. Assembling the Radio Antenna Cover

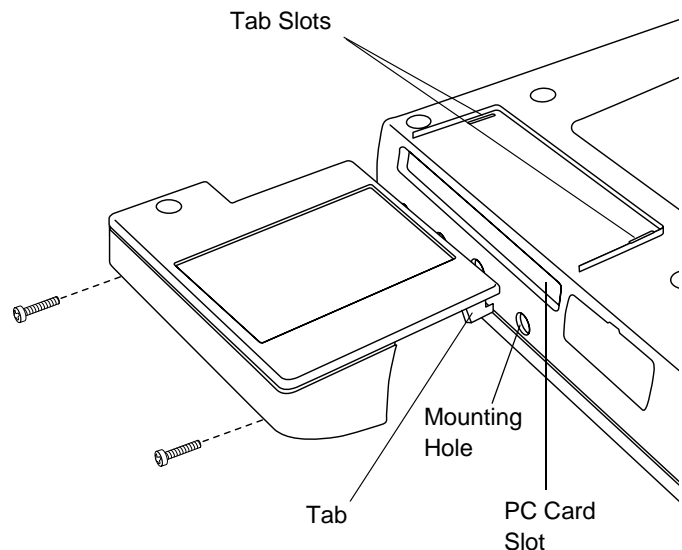


Figure 2. Installing the Radio Antenna Cover