

FMW42CR3

Wall-Mount Cradle

Assembly and Use Instructions

Stylistic 3400

The Stylistic 3400 wall-mount cradle is designed to provide a convenient, secure, hands-free station for your pen tablet and keyboard.

The wall-mount cradle uses high-usage DC Input and Universal Serial Bus (USB) contact pins to connect to the pen tablet. The USB pins are used for interfacing with the USB keyboard. (Note that these connectors are not visible or accessible when the wall-mount cradle is installed.)

Assembly Instructions

The Stylistic 3400 wall-mount cradle is shipped partially disassembled. Follow the instructions below to assemble the unit. Note that these instructions are for the assembly of the cradle, not for mounting the cradle. The mounting and electrical connection of the cradle are determined by local procedures.

Parts Included

Verify that all parts and tools listed below are present before proceeding with the assembly.

Table 1: Parts Included in Wall Mount Kit

Quantity	Part
1	Wall Mount Back Assembly
1	Wall Mount Tray Assembly
1	Cradle Assembly (plastic)
2	Keys
1	Hardware Kit, consisting of:
	6 Screws (short, black)
	4 Screws, Phillips (black, with star lockwasher)
	2 Screws (silver)
	2 Flat Washers
	2 Ty-Wraps™

Additional Parts Required

In order to use the wall mount cradle most effectively, it is necessary for you to purchase the following parts from an authorized reseller.

Table 2: Additional Parts Required

Quantity	Part
1	USB Keyboard (FMWKB5x)*
1	AC Adapter (FMWAC6x)*

*The "x" in the part numbers in Table 2 refers to the suffix associated with the localized version of keyboard or AC Adapter.

Tools Required

The proper assembly of the wall mount cradle requires the use of the following common tools.

Table 3: Tools Required

Tool	Description
Screwdriver	Phillips
Wrench	Allen, 3/32
Pliers	Cutting

Installing the Cradle

1. Lay the wall mount back assembly on your work surface.
2. Position the cradle assembly over the back assembly so that the four screw holes in the cradle align with the holes in the back assembly. Ensure that the circuit card and cable extend from the bottom of the cradle (reference Fig. 1).

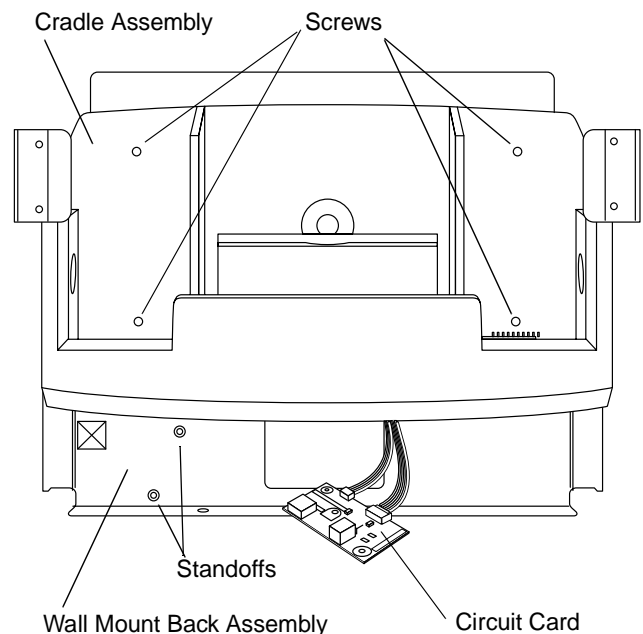


Figure 1. Mounting the Cradle to the Back Assembly

3. Using the four black Phillips screws (with star lockwashers), secure the cradle to the back assembly.
4. Secure the circuit card to the two standoffs, using the two silver screws and the two washers, with the washers positioned between the screws and the circuit card (reference Figure 2).

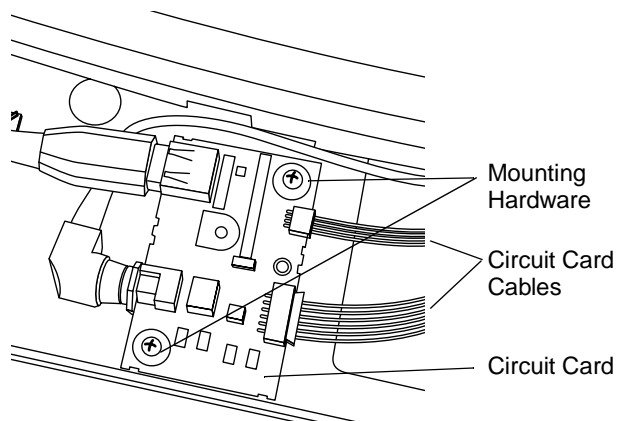


Figure 2. Mounting the Circuit Card

Installing the keyboard

5. Remove the adhesive backing from the Velcro strips that are attached to the tray.
6. Carefully position the keyboard over the strips so that the bottom edge of the keyboard butts against the lower lip of the tray. Once it is positioned properly, firmly press the keyboard onto the Velcro strips to secure it (reference Figure 3).

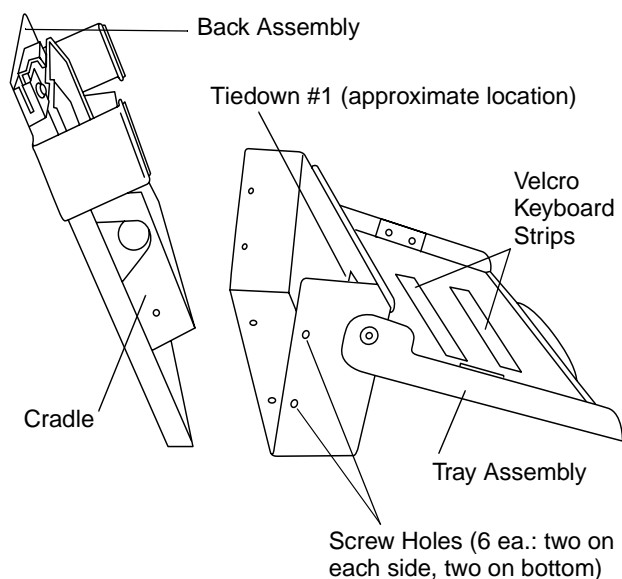


Figure 3. Wall Mount Components

7. Route the coiled keyboard cable over the vertical edge of the tray assembly. Leave approximately ten coils on the keyboard side (reference Figure 4)
8. Stretch the coil over the edge of the tray so the section of cable from the edge of the tray to the first tie point is uncoiled (reference Figure 4).
9. Tie down the cable at the first tie point using a Ty-Wrap from the hardware kit. The tie point is located just below the top edge of the tray (reference Figure 3 for approximate location). Clip any excess Ty-Wrap with the cutting pliers.
10. Plug the keyboard plug into the jack on the circuit card.

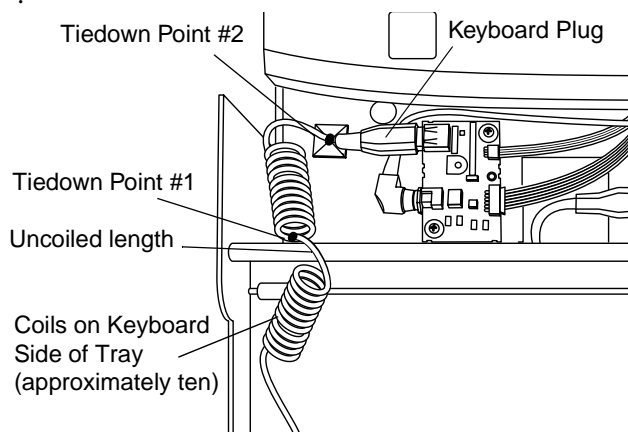


Figure 4. Routing the Keyboard Cable

11. Secure the remaining coil to the second tiedown using a Ty-Wrap from the hardware kit. Clip any excess Ty-Wrap with the cutting pliers.

Installing the AC Adapter

12. Locate the Velcro strip on the right-hand side of the tray. This is the location at which the AC Adapter will be installed (reference Figure 5).
13. Remove the adhesive backing from the Velcro strip on the right-hand side of the tray. Position the AC Adapter (label side up) over the Velcro strip with the DC power cord on the left. Make sure the AC power cord on the right has enough clearance that it is not tightly crimped when routed around the adapter.
14. Secure the adapter by firmly pressing it onto the Velcro.
15. Route the DC power cord through the cutaway.

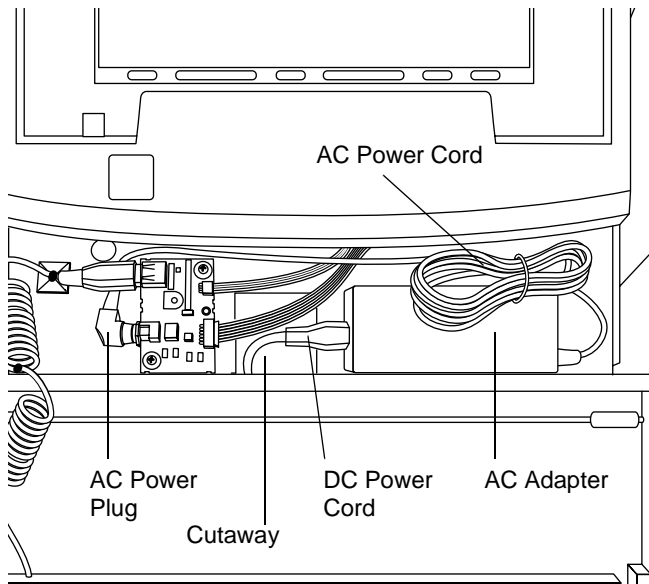


Figure 5. AC Adapter Location

- Route the AC power cord around the adapter, as shown in Figure 5. Plug the AC power plug into the circuit card, and bundle the excess cable above the adapter.

Final Assembly

- Carefully position the back assembly inside the tray assembly so that the six holes in each are aligned (reference Figures 3 and 6). Use care when joining the two assemblies; ensure that no wires or cables are crimped between the two parts.

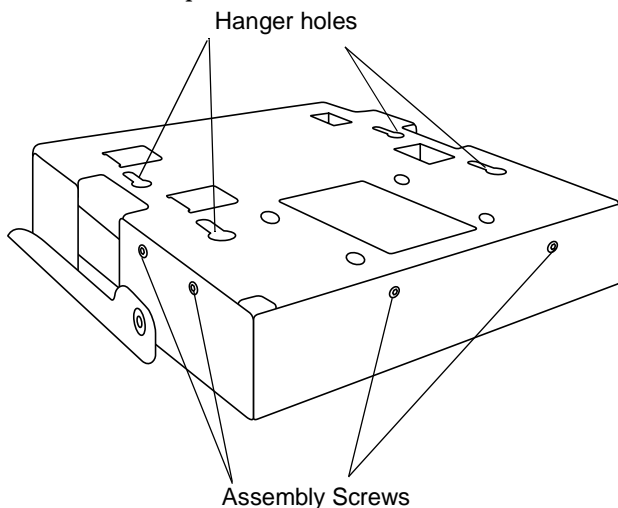


Figure 6. Rear of Wall Mount Assembly

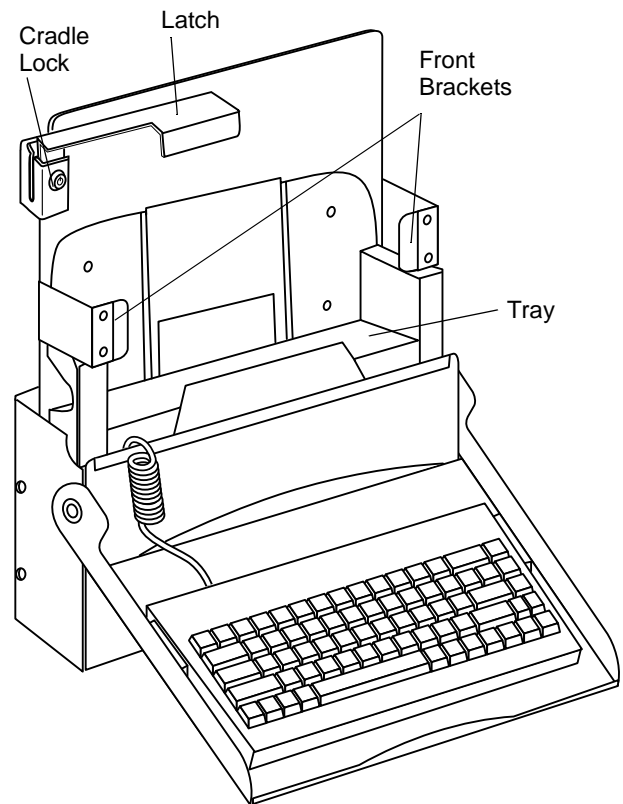


Figure 7. Assembled Wall Mount

- Using a 3/32 Allen wrench, install the six short screws from the hardware kit. The assembled wall mount is illustrated in Fig. 7.
- After the wall mount cradle is assembled, it should be mounted to a secure location and wired to a convenient outlet in accordance with the user's needs. Typically, the four hanger holes on the back of the cradle are used to mount the cradle.

Using the Wall Mount Cradle

The contact pins in the wall mount cradle provide DC Input and USB interfaces to the pen tablet. The USB pins are used by the USB keyboard.

Caution

Avoid bringing your system in direct contact with the magnetic latches. Magnetic fields can have an adverse affect on electronic media, and data on your hard drive could be damaged or destroyed.

To install your Stylistic 3400 pen tablet in the cradle:

1. Insert the key into the cradle lock (reference Figure 7). While pushing it firmly, turn the key counter- clockwise to raise the latch to a 90° angle.
2. Slide your system behind the front brackets and into the tray. It is not necessary to use force; the weight of the system is sufficient to provide good contact.
3. Turn the key clockwise to lower the latch into the locking position. Remove the key and store in a secure location.

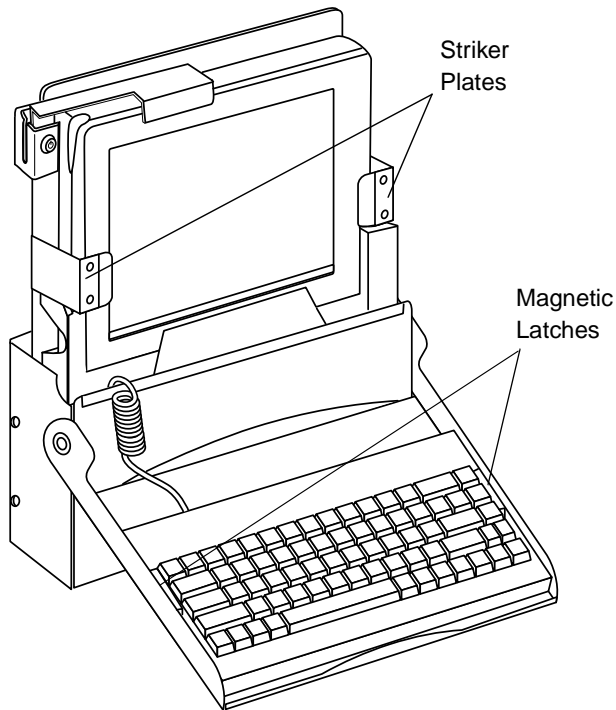


Figure 8. System Installed in Wall Mount

4. When not in use, lift the keyboard tray so that the magnetic latches attach to the metal striker plates on the front of the brackets.